

\*virucidal activity against human coronavirus HCoV-229E according to ISO 21702. On our PVC handrails, 99.96% of the virus eliminated after two hours



# PERFORMER 2

## PROTECTION HANDRAIL - 140 MM HIGH

### BACTERICIDAL JOINT



#### APPLICATIONS

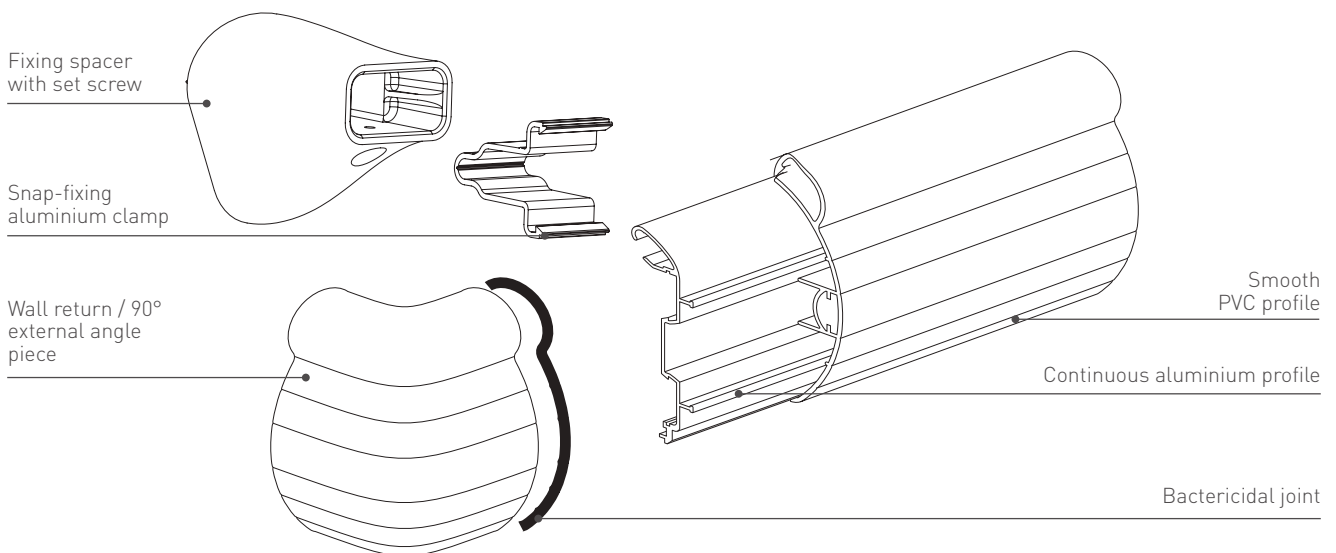
Offering both an excellent handgrip and impact resistance for corridors, this protection handrail, is ideal for all public buildings: hospitals, clinics, re-education centres, homes for the elderly.

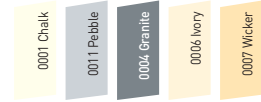
It benefits from an installation system which facilitates and speeds up the installation.

It is fitted with bactericidal joints.

#### SPECIFICATION

- Description: protection handrail (Performer 2 as manufactured by SPM) with quick fixing system, from 3 mm thick smooth and antibacterial PVC achieving Bs2d0 reaction to fire classification with solid colour. The height of the handrail is 140 mm, it has an overall protection of 105 mm and a depth of 50 mm. It consists of a completely smooth tubular upper part (diameter 40 mm) and a lower wall protection rail with decorative grooves. A protective film is specified to minimise cleaning before acceptance. The PVC profile snap-fixes onto a continuous aluminium profile, 2 mm thick, and finish is provided by smooth PVC accessories with decorative grooves (wall returns, 90° external angles). The unit is fitted into a PVC fixing spacer thanks to aluminium clamp. It is fitted with bactericidal joints.
- Environment: no heavy metals and no substance potentially subjected to any REACH restriction are used in its manufacture, nor PBT/BPA. The calcium-zinc thermal stabilisation process is used. The emission level of volatile substance in inside air has been tested according to ISO 16000-6 and is very low (A+) according to the French regulation (23 March 2011 nr 2011-321 Decree and 19 April 2011 Order). 100% of the product are recyclable.
- Colour: selected by architects from manufacturer's standard range.
- Installation method: upper edge of section 0.90 m max. above floor level. Fixing on PVC spacers to be fitted at 1.20 m centres (0.80 m centres in heavy traffic corridors and on light partitions like plasterboard). Wall returns and external angles fixing with pop rivets.



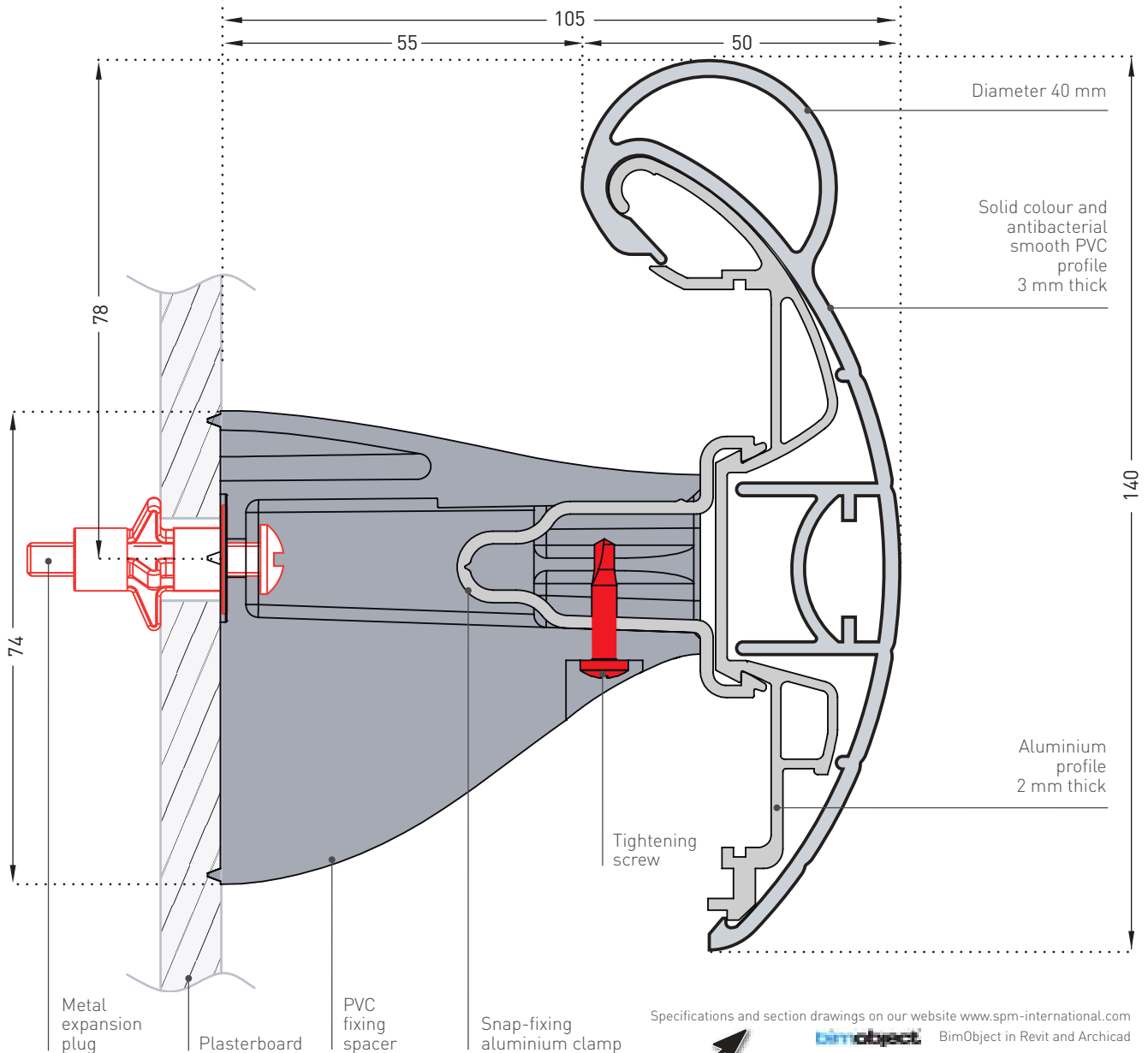


Colours available per product: please see the colour summary hinge



**DESCRIPTION**

- Model: Performer 2 protection handrail
- Height: 140 mm
- Length: 4 m
- Tubular upper part diameter: 40 mm
- Depth: 50 mm
- Overall projection: 105 mm
- Stand-off from wall: 55 mm
- Material: 3 mm thick antibacterial and Bs2d0 fire-rated PVC, solid colour, bactericidal joint
- Surface finish:
  - upper handrail: smooth
  - protection rail: with decorative grooves
- Fixing: interlocking into quick fit PVC spacers to be fitted at 1.20 m centres (0.80 m centres in heavy traffic corridors and on light partitions like plasterboard)
- Colours: 5



Specifications and section drawings on our website [www.spm-international.com](http://www.spm-international.com)



BimObject in Revit and Archicad